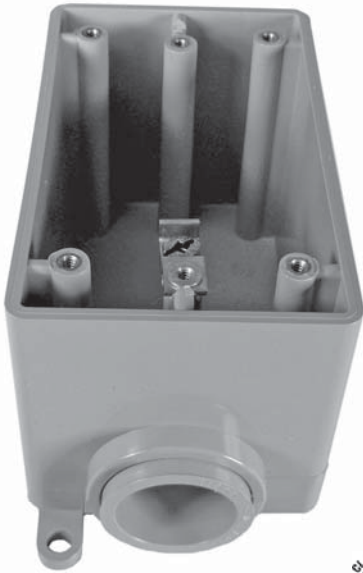
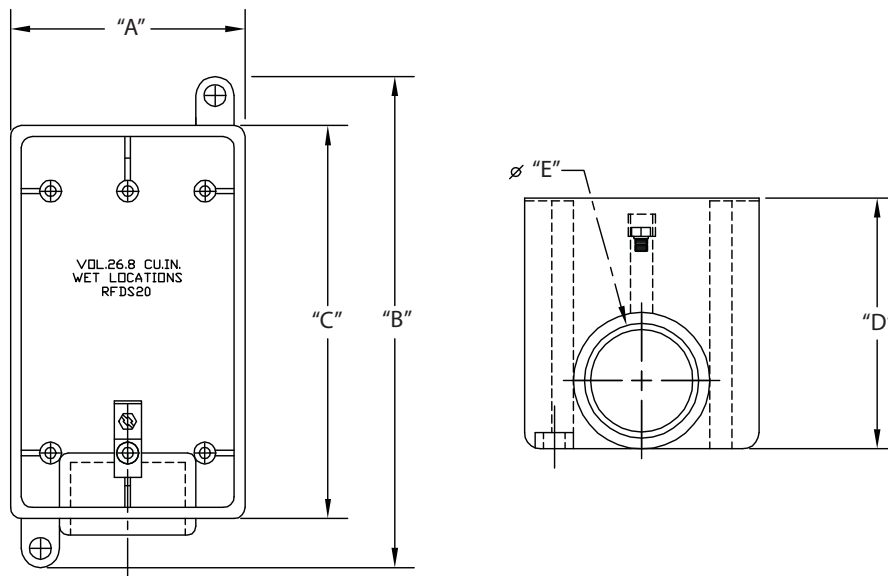


Type FDE Single Gang Box



Used for a conduit termination box and for single gang electrical devices. Uses single gang device covers

Single gang, surface mounted electrical box with grounding lug has only one conduit entrance hub with no outlet hub.



Part Number	Trade Size	Carton Quantity	"A"	"B"	"C"	"D"	"E"
5133300	1/2	10	2.688	5.875	4.500	2.875	.875
5133301	3/4	10	2.688	5.875	4.500	2.875	1.063
5133302	1	10	2.688	5.875	4.500	2.875	1.313

Dimensions are nominal