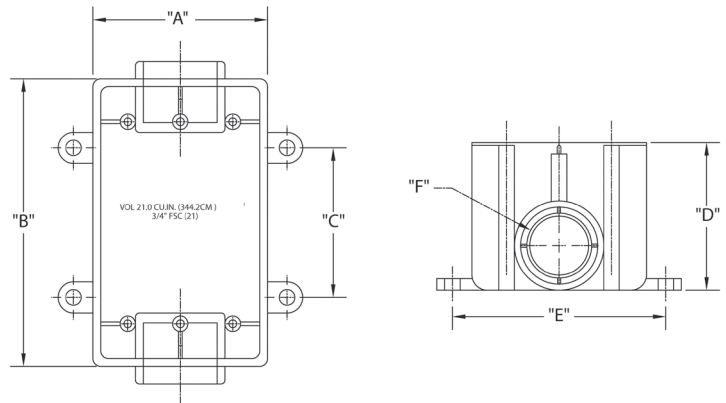


Type FDC Single Gang Box



Exposed Boxes Type FDC designed for use in indoor and outdoor locations where boxes are exposed and subject to environmental conditions. Type FDC is intended for straight line conduit runs with one opening on each of the two short walls of the box. FD boxes are the deepest exposed boxes. They provide space for large devices and additional wiring capacity.



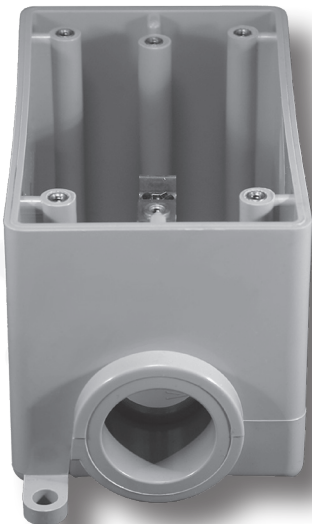
- FD boxes are the deepest exposed boxes
- 26.8 cu. in. surface mount box
- Durable non-conductive PVC will not rust or corrode
- Cover sold separately
- UL Listed
- Made in USA

| Part Number | Trade Size | Carton Quantity | "A" | "B" | "C" | "D" | "E" | "F" |
|-------------|------------|-----------------|-------|-------|-------|-------|-------|-------|
| 5133310 | 1/2 | 10 | 2.813 | 4.563 | 2.625 | 2.938 | 3.500 | .875 |
| 5133311 | 3/4 | 10 | 2.813 | 4.563 | 2.625 | 2.938 | 3.500 | 1.063 |
| 5133312 | 1 | 10 | 2.813 | 4.563 | 2.625 | 2.938 | 3.500 | 1.313 |

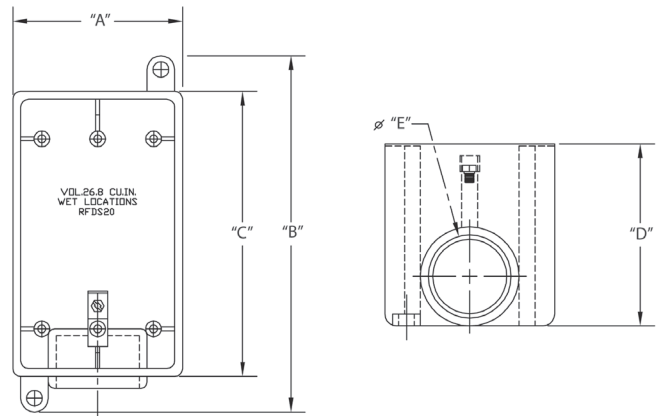
Dimensions are nominal

Type FDE Single Gang Box

Dimensions are nominal



Exposed Boxes Type FDE are designed for use in indoor and outdoor locations where boxes are exposed and subject to environmental conditions. Type FDE is intended for conduit termination with one conduit opening and no outlet. FD boxes are the deepest exposed boxes. They provide space for large devices and additional wiring capacity.



- FD boxes are the deepest exposed boxes
- 26.8 cu. in. surface mount box
- Durable non-conductive PVC will not rust or corrode
- Cover sold separately
- UL Listed
- Made in USA

| Part Number | Trade Size | Carton Quantity | "A" | "B" | "C" | "D" | "E" |
|-------------|------------|-----------------|-------|-------|-------|-------|-------|
| 5133300 | 1/2 | 10 | 2.688 | 5.875 | 4.500 | 2.875 | .875 |
| 5133301 | 3/4 | 10 | 2.688 | 5.875 | 4.500 | 2.875 | 1.063 |
| 5133302 | 1 | 10 | 2.688 | 5.875 | 4.500 | 2.875 | 1.313 |

Dimensions are nominal