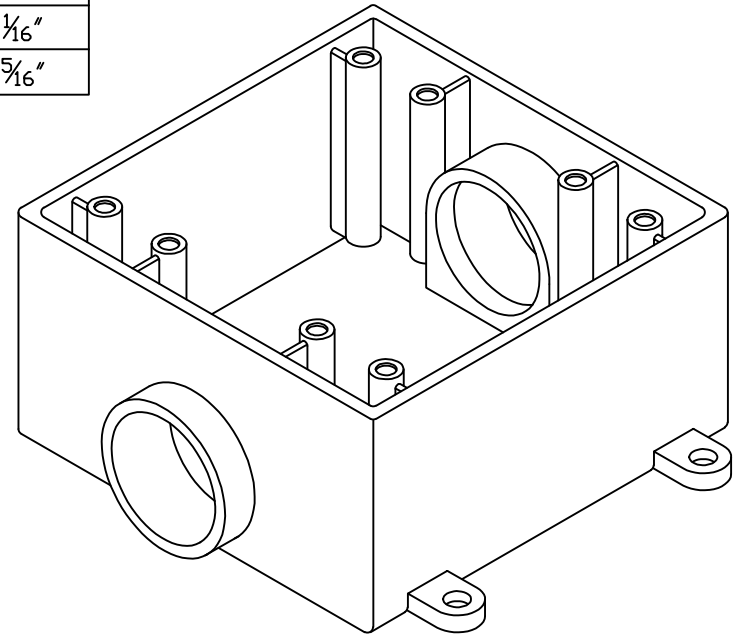
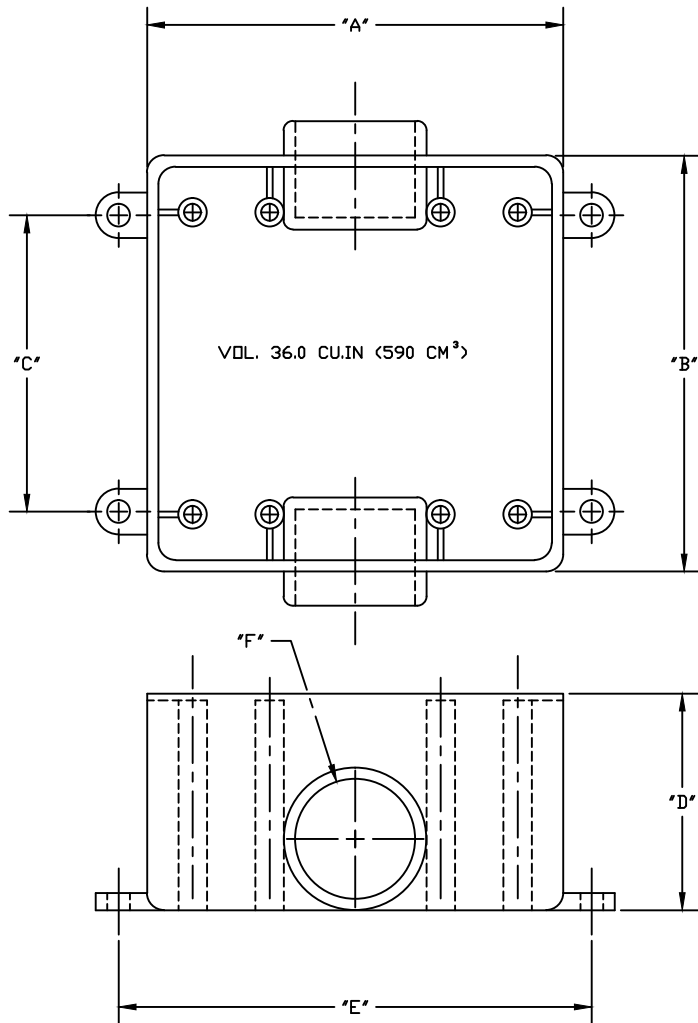


| PART NUMBER | SIZE | "A"     | "B"     | "C"    | "D"    | "E"    | "F"     |
|-------------|------|---------|---------|--------|--------|--------|---------|
| 5133370     | 1/2  | 4 9/16" | 4 9/16" | 3 1/4" | 2 3/8" | 5 1/4" | 7/8"    |
| 5133371     | 3/4  | 4 9/16" | 4 9/16" | 3 1/4" | 2 3/8" | 5 1/4" | 1 1/16" |
| 5133372     | 1    | 4 9/16" | 4 9/16" | 3 1/4" | 2 3/8" | 5 1/4" | 1 5/16" |



UL Listed  
 UL File # E98429  
 UL Category Code QCXJ  
 UL Control Number 39N9  
 Material Is Rigid PVC



|  |               |              |
|--|---------------|--------------|
| <b>CANTEX</b><br>INC.<br>Fort Worth, TEXAS |               |              |
| <b>Two-Gang Type FSC<br/>Exposed Boxes</b> |               |              |
| Drawn By: O.M.                             | Date: 5/15/17 | Ref. 5133370 |