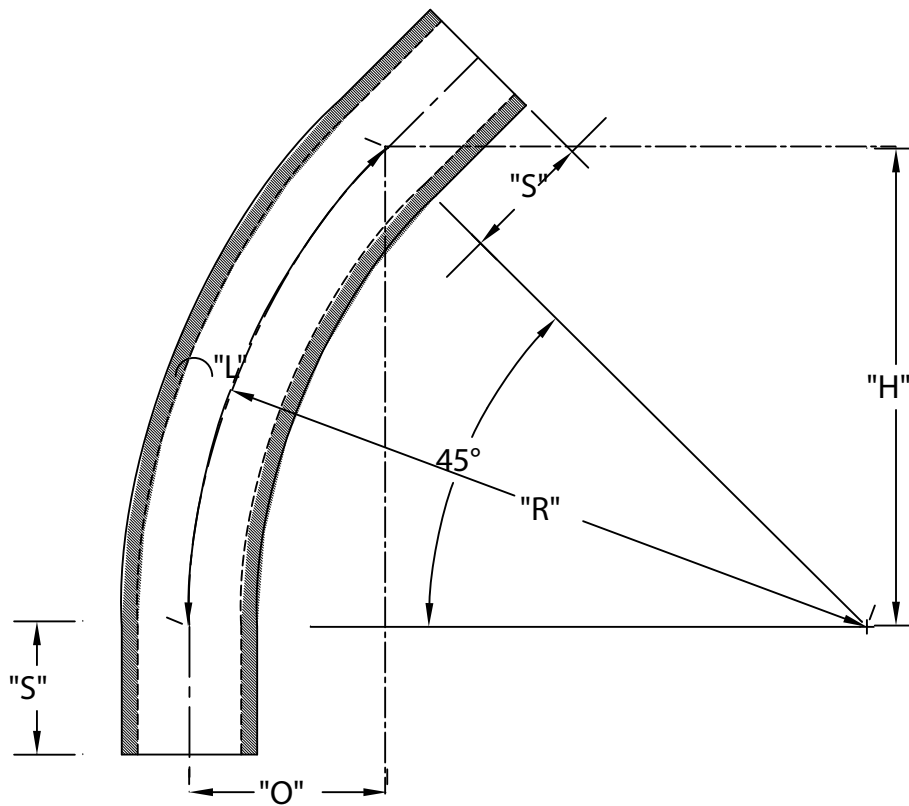


| PART NUMBER | SIZE | "R" | "O"  | "H"   | "S" MIN | "B" MIN | "L"   |
|-------------|------|-----|------|-------|---------|---------|-------|
| 5121971     | 1"   | 18" | 5 ¼" | 12 ¾" | 1 ⅞"    | N/A     | 14 ⅛" |
| 5136511     | 1 ¼" | 18" | 5 ¼" | 12 ¾" | 2"      | N/A     | 14 ⅛" |
| 5121037     | 1 ½" | 18" | 5 ¼" | 12 ¾" | 2"      | N/A     | 14 ⅛" |
| 5136551     | 2"   | 18" | 5 ¼" | 12 ¾" | 2"      | N/A     | 14 ⅛" |
| 5136561     | 2 ½" | 18" | 5 ¼" | 12 ¾" | 3"      | N/A     | 14 ⅛" |



ETL LISTED  
 CONFORMS TO UL651  
 ETL CONTROL #3107144  
 CONFORMS TO NEMA TC3  
 SEE NEC ARTICLE 352 FOR USE  
 MATERIAL IS RIGID PVC  
 BEND TOLERANCE IS  $\pm 2^\circ$



**CANTEX**

INC.  
 Fort Worth, TEXAS

45° Elbows Plain End  
 Schedule 80 18" Radius Elbows

Drawn By: CD Branch

Date: 10/15/07

Ref.