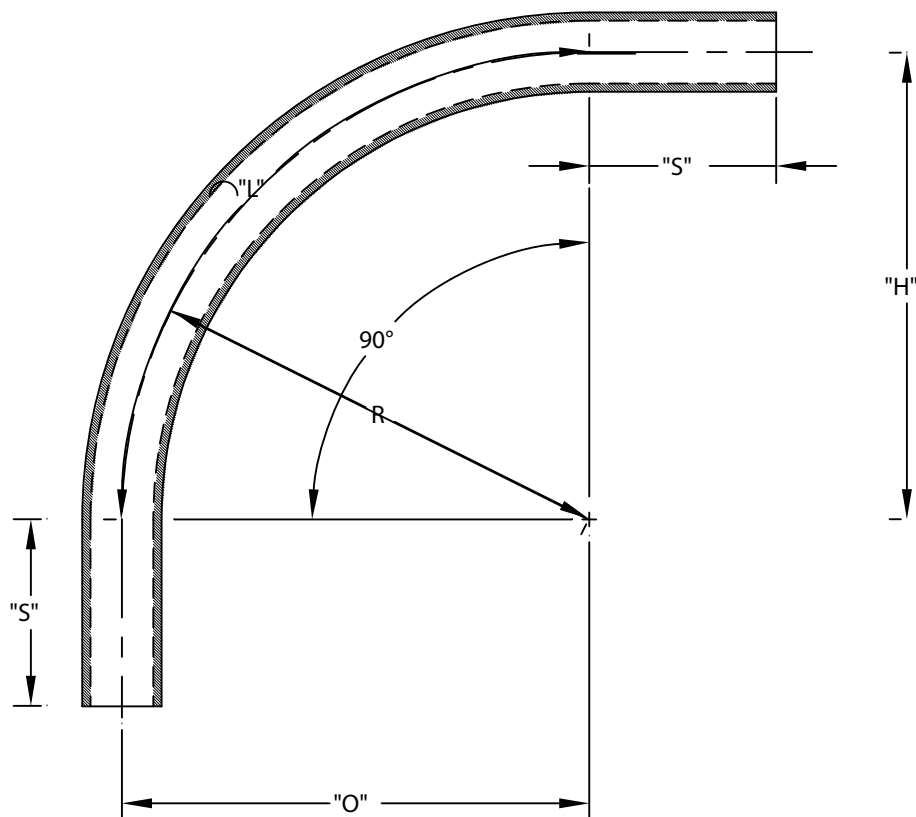


PART NUMBER	SIZE	"R"	"O"	"H"	"S" MIN	"B" MIN	"L"
5133864	1"	48"	48"	48"	1 $\frac{7}{8}$ "	N/A	75 $\frac{3}{8}$ "
5133871	1 $\frac{1}{4}$ "	48"	48"	48"	2"	N/A	75 $\frac{3}{8}$ "
5133865	1 $\frac{1}{2}$ "	48"	48"	48"	2"	N/A	75 $\frac{3}{8}$ "
5133876	2"	48"	48"	48"	2"	N/A	75 $\frac{3}{8}$ "
5133849	2 $\frac{1}{2}$ "	48"	48"	48"	3"	N/A	75 $\frac{3}{8}$ "
5133817	3"	48"	48"	48"	3 $\frac{1}{8}$ "	N/A	75 $\frac{3}{8}$ "
5133892	3 $\frac{1}{2}$ "	48"	48"	48"	3 $\frac{1}{4}$ "	N/A	75 $\frac{3}{8}$ "
5133843	4"	48"	48"	48"	3 $\frac{3}{8}$ "	N/A	75 $\frac{3}{8}$ "
5133842	5"	48"	48"	48"	3 $\frac{5}{8}$ "	N/A	75 $\frac{3}{8}$ "
5133816	6"	48"	48"	48"	3 $\frac{3}{4}$ "	N/A	75 $\frac{3}{8}$ "
5133993	8"	48"	48"	48"	6 $\frac{5}{8}$ "	N/A	75 $\frac{3}{8}$ "



ETL LISTED
 CONFORMS TO UL651
 ETL CONTROL #3107144
 CONFORMS TO NEMA TC3
 SEE NEC ARTICLE 352 FOR USE
 MATERIAL IS RIGID PVC
 BEND TOLERANCE IS $\pm 2^\circ$



CANTEX
 INC.
 Fort Worth, TEXAS

90° Elbows Plain End
 Schedule 40 48" Radius Elbows

Drawn By: CD Branch

Date: 10/15/07

Ref.