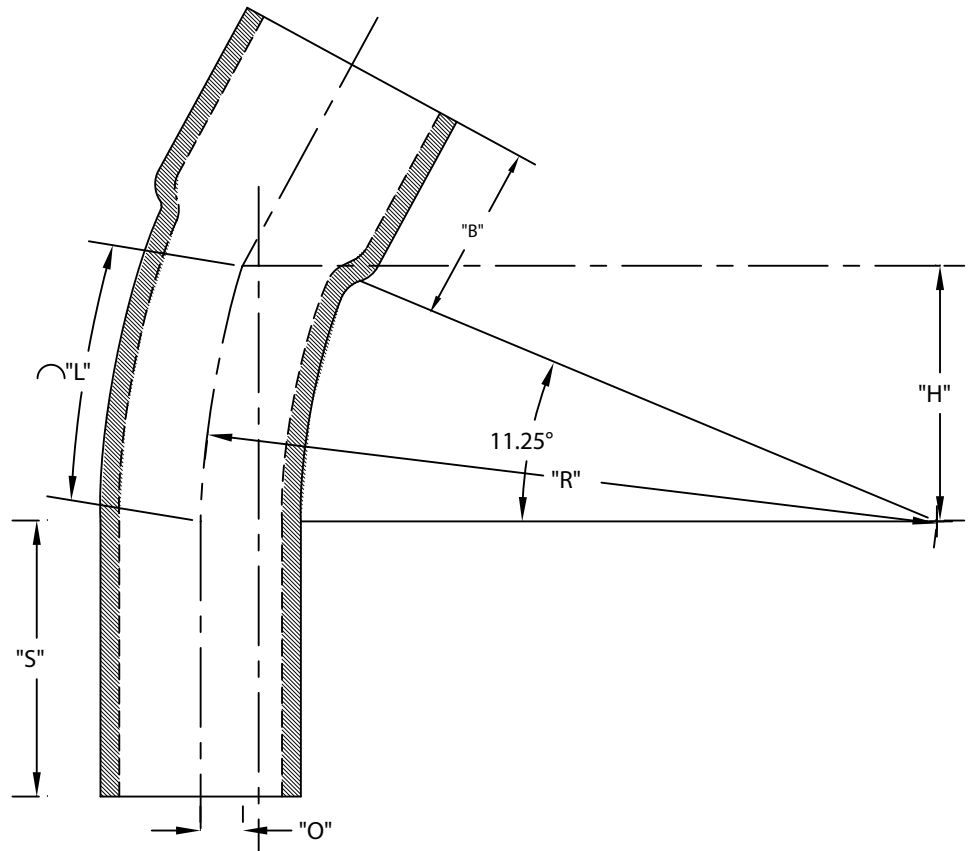


PART NUMBRT	SIZE	"R"	"O"	"H"	"S" MIN	"B" MIN	"L"
5123722	5"	48"	$15/16"$	$9\ 3/8"$	$3\ 5/8"$	$4\ 1/4"$	$9\ 7/16"$



CONFORMS TO NEMA TC 6&8
 MATERIAL IS HIGH MODULUS (HM) 500,000 psi
 BEND TOLERANCE IS $\pm 2^\circ$
 "B" TOLERANCE IS $-1/8", +1/2"$

CANTEX

INC.

Fort Worth, TEXAS

11 1/4° Elbows Bell End
 DB60 48" Radius Elbows

Drawn By: CD Branch

Date: 10/04/10

Ref.