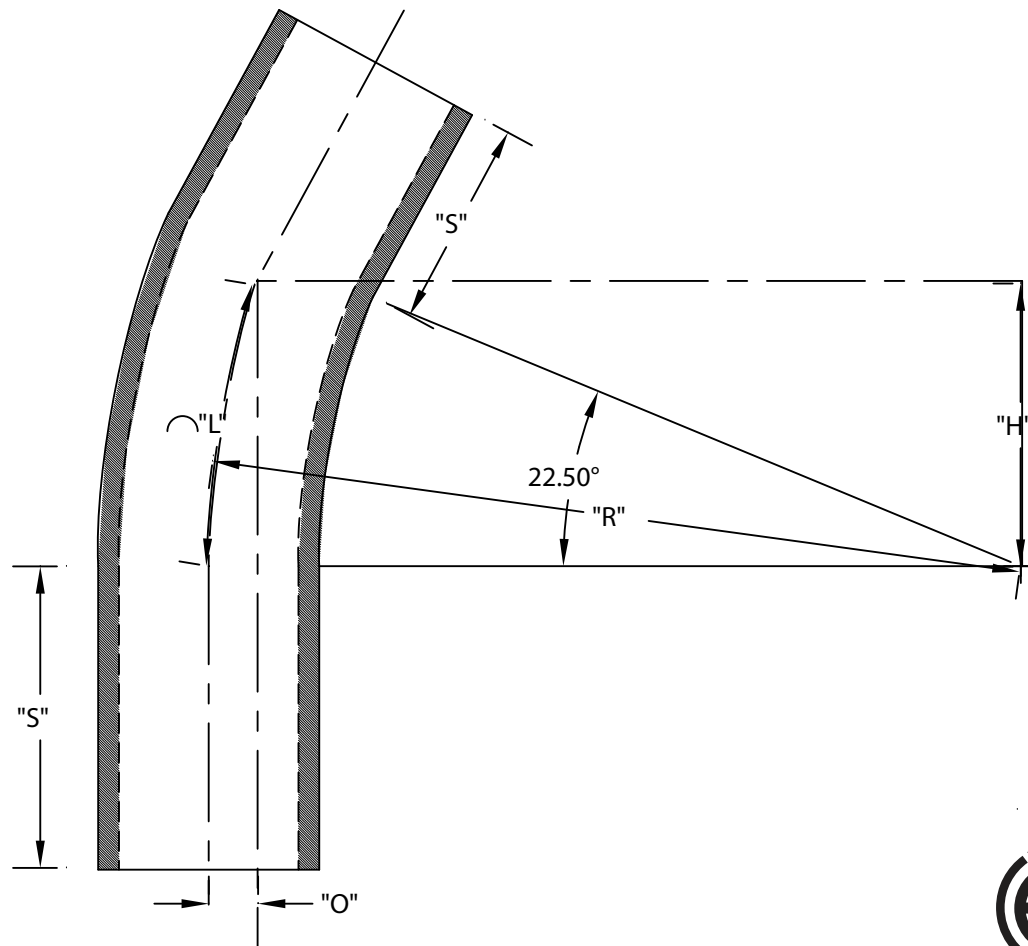


PART NUMBER	SIZE	"R"	"O"	"H"	"S" MIN	"B" MIN	"L"
5134013	2"	60"	4 $\frac{5}{16}$ "	23"	2"	N/A	23 $\frac{5}{16}$ "
5134012	4"	60"	4 $\frac{5}{16}$ "	23"	3 $\frac{3}{8}$ "	N/A	23 $\frac{5}{16}$ "
5134020	5"	60"	4 $\frac{5}{16}$ "	23"	3 $\frac{5}{8}$ "	N/A	23 $\frac{5}{16}$ "
5134065	6"	60"	4 $\frac{5}{16}$ "	23"	3 $\frac{3}{4}$ "	N/A	23 $\frac{5}{16}$ "



ETL LISTED  
 CONFORMS TO UL651  
 ETL CONTROL #3107144  
 CONFORMS TO NEMA TC3  
 SEE NEC ARTICLE 352 FOR USE  
 MATERIAL IS RIGID PVC  
 BEND TOLERANCE IS  $\pm 2^\circ$



**CANTEX**  
 INC.  
 Fort Worth, TEXAS

22-1/2° Elbows Plain End  
 Schedule 40 60" Radius Elbows

Drawn By: CD Branch

Date: 10/15/07

Ref.