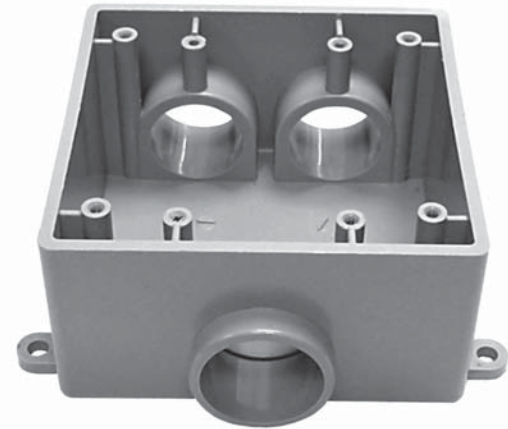
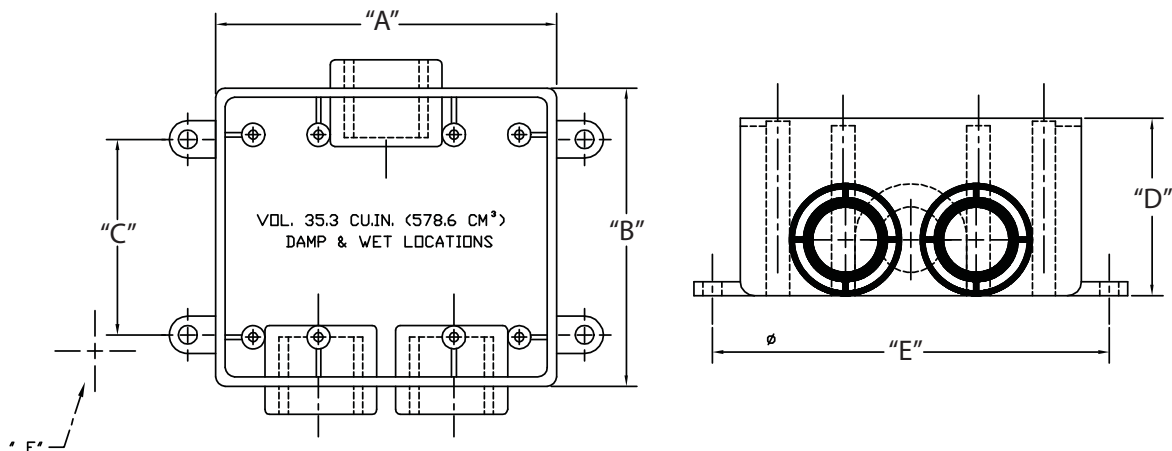


Type FSCC Two Gang Box



Two gang, surface mounted electrical box that has two conduit entrance hubs in one wall of the box and one hub in the opposite wall. Uses a two gang device cover.



Part Number	Trade Size	Carton Quantity	"A"	"B"	"C"	"D"	"E"	"F"
5133400	1/2	5	4.563	4.563	3.250	2.375	5.250	.875
5133401	3/4	5	4.563	4.563	3.250	2.375	5.250	1.063
5133402	1	5	4.563	4.563	3.250	2.375	5.250	1.313

Dimensions are nominal